



**HAL**  
open science

## Modelling of pH, dry matter and mineral content of curds during soft cheese drainage

Daniel Picque, Ioan-Cristian Trelea, Yves Gauzere, Bernard Mietton, Georges Corrieu

► **To cite this version:**

Daniel Picque, Ioan-Cristian Trelea, Yves Gauzere, Bernard Mietton, Georges Corrieu. Modelling of pH, dry matter and mineral content of curds during soft cheese drainage. *Lait*, 2004, 84 (5), pp.463-472. 10.1051/lait:2004015 . hal-01537107

**HAL Id: hal-01537107**

**<https://agroparistech.hal.science/hal-01537107>**

Submitted on 15 Jun 2017

**HAL** is a multi-disciplinary open access archive for the deposit and dissemination of scientific research documents, whether they are published or not. The documents may come from teaching and research institutions in France or abroad, or from public or private research centers.

L'archive ouverte pluridisciplinaire **HAL**, est destinée au dépôt et à la diffusion de documents scientifiques de niveau recherche, publiés ou non, émanant des établissements d'enseignement et de recherche français ou étrangers, des laboratoires publics ou privés.

# **Modelling of pH, dry matter and mineral content of curds during soft cheese drainage**

Daniel PICQUE<sup>a\*</sup>, Ioan Cristian TRELEA<sup>a</sup>, Yves GAUZERE<sup>b</sup>, Bernard

MIETTON<sup>b</sup>, Georges CORRIEU<sup>a</sup>

<sup>a</sup>UMR Génie et Microbiologie des Procédés Alimentaires, INRA/INAPG, 78850  
Thiverval-Grignon, France

<sup>b</sup>ENILBIO, rue de Versailles, BP49, 39801 Poligny, France

\* Corresponding author : E-mail : [picque@grignon.inra.fr](mailto:picque@grignon.inra.fr),

phone : 01 30 81 54 51 , fax : 01 30 81 55 99

## **Abstract**

The influence of the temperature at the rennet addition (31.2, 32.0, 32.8 °C) and of the starter type on the soft cheese drainage process was studied. Off-line measurements of pH, calcium and phosphorous concentrations, as well as dry matter of the curd were performed in parallel to on-line measurements of the weight and pH of the whey. Only the starter type was found to have a significant influence on the curd and whey pH, on the calcium concentration in the curd and on the calcium/dry matter ratio.

Correlations were established between weight of the whey and dry matter of the curd, as well as between pH of the whey and physico-chemical measurements in the curd. Linear regressions gave satisfactory results only when performed separately for each type of starter. Artificial neural networks allowed building common models for both starters and predicting curd pH, calcium concentration and calcium/dry matter ratio using pH of the whey at one hour after moulding.

**Drainage/ curd characteristics/ pH/ starter/ on-line measurement/ modelling**

**Résumé : Modélisation du pH, de l'extrait sec et de la minéralisation du caillé pendant l'égouttage d'un fromage à pâte molle**

Au cours de l'égouttage en moule de fromages à pâte molle, des mesures de pH, de concentrations en calcium et phosphore ainsi que de l'extrait sec du caillé ont été effectuées parallèlement aux mesures en ligne de la masse et du pH du sérum. Les effets de la température d'emprésurage (31,2 ; 32,0 ; 32,8 °C) et de la nature

des levains ont été évalués sur l'évolution de ces grandeurs. Seule la nature des levains présente un effet significatif sur les évolutions du pH du caillé et du sérum, sur la concentration en calcium du caillé et sur le rapport  $\text{Ca}^{++}$ /extrait sec. Des corrélations sont établies entre la masse de sérum égoutté et l'extrait sec du caillé ainsi qu'entre le pH du sérum et les grandeurs physico-chimiques mesurées dans le caillé. Dans ces relations, les régressions linéaires multiples n'apportent des résultats corrects que lorsqu'elles sont établies séparément, en fonction du levain utilisé. La mise en œuvre de réseaux de neurones artificiels permet d'établir un modèle unique pour l'ensemble des variables recherchées.

**Egouttage/ caractéristiques physico-chimiques du caillé/ pH/ levain/ mesure en ligne/ modélisation**

## **1. Introduction**

Drainage is a complex phenomenon resulting in whey elimination and hardening of the gel. It is an important stage of the cheese-making process, with a significant effect on quality of final product. Its evolution is influenced by various factors [9]: (i) physical factors such as cutting, mixing, heating, pressing, centrifugation [2] codified according to the type of required cheese, (ii) biological factors related to the milk composition, (iii) biological agents as lactic acid bacteria and rennet.

Walstra et al. [12] described the main cause of syneresis and reviewed the factors affecting syneresis rate and end-point. The main factors are distance over which the whey has to flow, pressure applied, temperature and pH. Kaytanli et al. [6] showed the effects of milk pH, temperature, and calcium and rennet

concentrations on the kinetics of draining. Recently, Daviau et al. [4] studied and modelled the effect of milk pH, casein concentration and ionic strength of milks on the kinetics of soft cheese drainage.

Concurrently with the outflow of the whey, acidification occurs in the curd. The kinetic of acidification is modulated in practice by the choice of lactic acid bacteria, milk pH and temperature. Yun et al. [13] studied the impact of whey pH at draining (6.40/6.15) during Mozzarella cheese production. They showed that decreasing pH reduced calcium content in cheese, cheese moisture and the rate of proteolysis during storage. Kandarakis et al. [5] investigated the effects of draining temperature and starters on the biochemical characteristics of feta cheese. They found a significant effect of these parameters on pH, total solids, nitrogen fractions and on organoleptic characteristics.

Real time knowledge of curd pH and ability to modify the kinetics of acidification acting on temperature could allow a control of draining and bring a better reproducibility of the process. But in practice, on-line measurement of curd pH during the drainage is not easy.

The goal of this work is to determine if it is possible to obtain the pH and some other important characteristics of the curd (dry matter, calcium and phosphorus contents) indirectly, using on-line measurements of pH and weight of the whey.

Draining experiments were carried out in order to quantify the variability of the process and of the on-line measurements, and to evaluate the effects of milk temperature at time of rennet addition and of lactic acid bacteria.

Linear and non-linear correlations were established between the measurements carried out on whey and those carried out on curd. Non-linear correlations were performed using artificial neural networks (ANN). Many successful applications of ANN are reported in the literature, especially in cases of complex phenomena when first-principle models are difficult to establish. For example, in the field of dairy production, Acuna et al. [1] used neural networks for estimating concentrations of lactic acid bacteria. Latrille et al. [7] used ANNs for biomass, lactic acid concentration and pH estimation in yoghurt fermentation. Salehi et al. [10, 11] studied prediction of the milk yield based on neural networks.

## **2. Material and Methods**

### **2.1. Manufacture of soft cheeses**

Camembert cheese manufacture was carried out by the dairy technology laboratory of ENILBIO (Poligny, France). Milk was standardised for fat and protein content to 31.5 g.L<sup>-1</sup> and 33 g.L<sup>-1</sup> respectively. After heat treatment (64 °C for 20 s), 0.035 g.L<sup>-1</sup> of anhydrous CaCl<sub>2</sub> were added and pH was adjusted to 6.25 by addition of glucono δ-lactone. After 18 h at 10 °C, milk was pasteurised for 20 s at 74 °C and a new addition of CaCl<sub>2</sub> identical to the first one was performed.

Milk (75 L) was poured in a 90 L vat (53 cm x 53 cm, hemispheric bottom). Either 10 g.100 L<sup>-1</sup> of freeze-d mesophilic starter CHN11 (Chr. Hansen, St Germain les Arpajon, France) or 1 g.100 g<sup>-1</sup> of “grand levain” Redi Set cultivated on skimmed milk (Chr. Hansen) were added. A surface flora (Rhodia Food, Dangé St Romain, France), involving *Kluyveromyces lactis* KL71 (3.10<sup>9</sup> cells) +

*Geotrichum candidum* GEO17 ( $3.10^6$  spores) and *Penicillium camemberti* VS ( $3.10^9$  spores), was added to the milk. The milk was incubated during 30 min at either 31.2, 32 or 32.8 °C depending on the experiment. Then, 20 mL.100 L<sup>-1</sup> of rennet extract (Chr. Hansen) were added.

Total processing time was fixed to 5 times the coagulation time determined by the cheese-maker. The curd was cut out manually into 2 cm edge cubes and was stirred 20 min after the cutting. After 35 min, 30% of the whey was withdrawn and the curd was moulded in soft cheese moulds (internal diameter 105 mm). The temperature of the room of draining was 28 °C during 3 h, decreased from 28 °C to 20 °C with a rate of -1 °C per hour and remained at 20 °C during the night. The moulds were turned 1, 3, 6 and 9 h after the moulding.

The performed experiments are listed in table 1. E1 to E4 were used to study the variability of the process, and E5 to E8 the effect of the temperature and of the starter, respectively.

## **2. 2. Analysis and measurements**

### *2. 2. 1. Off-line analysis*

Determinations were carried out according to methods recommended by the International Dairy Federation for true protein (FIL98A-1985), phosphorus (FIL42B-1990 in milk and whey, FIL 33C-1987 in curd) and for total dry matter (FIL21B-1987 in milk and whey, FIL4A-1982 in curd). Calcium was measured by the method of Pearce described by Mutzelburg et al. [8], fat content by the Gerber

method (AFNOR V04-210). Samples were taken at moulding, then after 1, 2, 3, 4.5, 6, 9 h and at the end of the draining and were quickly cooled in a bath at 0 °C.

### *2. 2. 2. On-line measurements*

The amount of whey which flowed out was weighed (Précisa 9670M, Paris, France, 12 kg, accuracy 0.1 g). Temperature (sensor Pt 100  $\Omega$  at 0 °C, Heito, Paris, France, accuracy  $\pm 0.05$  °C) and pH probes (pH BRV4 H TE, France, accuracy  $\pm 0.02$  pH unit) were installed in a 10 mL cell placed under the draining table. The same type of probes were placed into the curd. They had to be removed before each turn up.

The transmitters of the sensors and the A/D converter modules were placed in a separate unit. The software, implemented on PC, allowed the calibration of the sensors, the storage of the data provided by the interface, and its graphic representation.

## **2. 3. Data processing**

### *2. 3. 1. Data acquisition*

Raw data were acquired every 2 min. The processing consisted in retaining only one point every 10 min, obtained as the average of the data points situated in a  $\pm 5$  min. interval. Before taking the average, possible outliers were eliminated. Were considered outliers values situated beyond 1.5 times the inter-quartile distance away from the median. Confidence intervals were computed based on the Student probability distribution. For 4 measurements, that is 4 repetitions of the



experiment and hence 3 degrees of freedom, a 95 % confidence interval is  $\pm 3.18$  times the standard deviation.

### *2. 3. 2. Linear regression*

Linear regression models between on-line measurements (weight and pH of the whey) and target variables (curd pH, dry matter, calcium, phosphorous and calcium / dry matter ratio) were established using standard spreadsheet software (Excel, Microsoft, Redmond, USA).

### *2. 3. 3. Non-linear models*

Non-linear models based on artificial neural networks were used when linear models did not give satisfactory results. Feed-forward artificial neural networks (ANN) are universal non-linear regression tools based on super-positions of sigmoid functions [3]. They assume no special form of the underlying relationship but are able to “learn” it from a set of examples (input-output couples), by adjusting their internal parameters. After the learning was completed, the “generalisation” ability of the network was tested on a set of previously unseen examples which formed the validation data set.

The general structure of the ANN used in this work is shown in figure 1. The input variables were selected after a large number of tests, among the measurements performed in the whey at different time moments: pH, temperature, serum mass, and their combinations. The retained input variables were the whey pH at 1 hour after moulding and the time. The whey pH at 1 hour was selected because it produced accurate results and was available early enough to give useful

predictions. The output variables were the curd pH, the calcium concentration and the Ca/DM ratio. The output variables are predicted at any time given as input, between 0 and 24 h (Fig 1).

The learning set was formed of the data from experiments E1, E4, E5 and E8, and the validation data set of experiments E2, E3, E6, E7.

## **3. Results**

### **3. 1. Curd making mass balance**

From the 8 trials, mass balance was calculated from the different weights (milk, whey and curd), from their dry matter and fat composition. The recoveries were 94.83 % (SD = 1.36) for the total weight, 97.8% (SD = 1.52) for the dry matter and 99.64% for the fat (SD = 4.54). The low value calculated for the weight was assigned to the losses by evaporation and to the handlings during the process.

### **3. 2. Drainage description**

#### *3. 2. 1. Typical evolution and repeatability*

Repeatability of the drainage process was based on data from experiments E1 to E4 carried out under the same conditions (Tab I). Figure 2 represents the changes versus drainage time of all data provided by on-line measurements and physico-chemical analysis.

Changes in the amounts of whey drained during the four experiments are represented in figure 2A. The curves can be arbitrarily divided in three phases.

During a first very short phase (about 15 min), the amount of collected whey reached approximately 15 kg, the whey coming mainly from draining in the vat. This phase has the greatest variability (coefficient of variation from 5 to 30 %) because of the transfer of curd from the tank to the moulds. During the second phase (6 h), the quantity of whey increases to 96% of the total mass. In the third phase, between the 6<sup>th</sup> and the 23<sup>rd</sup> hour, only 4% of the total are collected. These changes are well known and confirm previous works [4, 11]. Depending on the experiment, a final quantity ranging between 36 kg and 37.4 kg of serum is collected, with an average of  $35.8 \pm 1.9$  kg. Beyond 15 min, the coefficients of variation calculated on the data of the 4 experiments acquired at the same moments are lower than 2%, showing a good repeatability.

The changes in the pH of the whey and of the curd are represented in Figures 2B and 2C. During the first 6 h, the pH of the whey falls by about 0.65 unit. Beyond 6 h, the measurement is no longer representative because of the too low flow rate of the serum in the measuring cell. Into the curd, the decrease is fast until the 9<sup>th</sup> hour and the pH reaches 4.9: the total pH decrease from the beginning is 1.3 unit. During the next 14 h, the decrease is only of 0.14 unit. The confidence interval around the average value is about  $\pm 0.2$  pH unit.

The changes in dry matter (DM), calcium (Ca) and phosphorus (P) and of the Ca/DM ratio in the curd are shown in Figures 2D to 2G. The concentrations increase during the first 9 h respectively by a factor of 2.34, 2.55, 2.76 and 1.39. Except for the phosphorus content after 6h of draining, the coefficients of variation calculated for the four tests are lower than 6%.

A measurement of the pH of the curd was also carried out off line. Good correlation with the measurements carried out on line on the curd ( $R^2=0.98$ ) was found (data not shown).

### *3. 2. 2. Effects of the temperature and of the starter*

The values measured during the experiments at temperature of 31.2 and 32.8 °C in the presence of starters CHN11 or Redi Set (experiments E5 to E8, Tab. I) are compared with the average and the confidence interval at 95% calculated during the repeatability tests (experiments E1 to E4). The results are presented Figure 3A to 3G.

No effect of the considered operating conditions was observed on the changes of the amount of whey (Fig 3A). The recorded values are included in the confidence interval of the repeatability tests. The kinetics have very similar profiles.

Concerning the pH decrease, the situation is different. A slight temperature effect can be seen in Figs 3B and 3C. It is hardly significant, however, since values of pH of whey and curd measured in the experiments with starter CHN11 at 31.2 and 32.8 °C are included in the confidence interval calculated at 32 °C for the same starter for most of the time. On the contrary, a starter effect appears clearly (Figs. 3B, 3C). For the starter Redi Set, the pH of curd at the moulding is lower, 6.1 compared to 6.2 and the decrease of the pH is faster. After 5 h, pH reaches 5.25 into the serum and 4.8 into the curd respectively in comparison of 5.8 and 5.3 for CHN 11 starter. At the end of the drainage, pH in the curd obtained with Redi Set is lower by approximately 0.15 unit as compared to starter CNH11.

The changes of dry matter and phosphorus of curd are similar to those recorded during the tests of repeatability (Figs. 3D, 3F). Their values are included in the confidence interval.

For the tests carried out with the starter Redi Set, the concentrations of calcium measured after 6h of drainage are lower than those using starter CHN 11 (Fig 3E). This difference is assigned to a faster acidification leading to a more significant demineralisation of the curd. The calcium concentration changes especially when the pH decreases from 6.6 to 5.4. The 5.4 pH value is reached after 2h 30 min with the Redi Set starter and after 5h with the CHN11 starter.

The calcium concentration is anomalous, however, because it is lower in experiments E5 and E7 than in E1 – E4 (except at 3h) even if the same starter was used. This difference can hardly be attributed to the different temperature but rather to a different milk composition used in experiments E5 to E8. The Ca/DM ratio (Fig. 3G) seems to be a better mineralization indicator than the Ca concentration alone. Experiments E5 and E7 appear similar to E1 to E4, while E6 and E8, using a different starter, are clearly different. The higher values are reached after 3h with Redi Set starter and after 6h with CHN11 starter. Beyond these times, Ca/DM ratio does not change for CHN11 but decreases for Redi Set.

In summary, the only observed effects were those of the starter on the changes of whey pH and of the pH, calcium concentration and calcium/dry matter ratio of the curd.

### **3. 3. Estimation and prediction**

The purpose of this study was to be able to know in real time the pH and the dry matter of the curd, as well as the calcium and phosphorus concentrations and the Ca/DM ratio. A more ambitious goal was to predict the evolution of these variables from a given moment to the end of the drainage process. Relationships between the on-line measurements (weight and pH of the whey) and the five mentioned variables (curd pH, dry matter, calcium and phosphorous concentrations, Ca/DM ratio) were searched for. Two approaches were explored, the first one based on multiple linear regressions and the second one on the artificial neural networks.

#### *3. 3. 1. Multiple linear regressions for real-time estimation*

For each of the five target variables, the linear regressions with the significant factors (at a 0.05 level) are summarised in table II. The temperature was never retained as a significant factor.

The correlation between the amount of whey and the dry matter of the curd has a high determination coefficient. The residual standard deviation is  $15.5 \text{ g.kg}^{-1}$ .

The estimation of the curd pH, calcium and phosphorus concentrations, Ca/DM ratio based on the whey pH by a single relationship for the whole pool of experiments was not satisfactory (determination coefficients between 0.41 and 0.89). Separating the experiments between CHN 11 (E1 to E5 and E7) and Redi Set (E6 and E8) starters improved the results significantly. The prediction accuracy of the pH in the curd was lower than 0.1 unit, which is satisfactory. For

calcium and phosphorus, the reduction in the residual standard deviation was of about 30% when using separate regressions. The residual standard deviation for the Ca/DM ratio decreased between 20 and 50%.

### *3. 3. 2. Artificial neural networks for prediction*

Artificial neural networks shown in figure 1 were used to predict the pH, the calcium concentration and the Ca/DM ratio in the curd, based on the pH measured in the whey at 1 h after moulding. The type of starter is not entered explicitly, but is accounted for by the value of pH in the serum at 1 hour, which is significantly different for the two starters.

For the pH and the Ca/DM ratio of the curd, the prediction error of the ANN models was close to the repeatability of the experiments (Tab. III). For the calcium concentration, the prediction error was significantly higher than the repeatability. This was due to the fact that the calcium concentration was globally higher in the whole pool of experiments E1 – E4 than in the pool E5 – E8, as shown in Fig. 3E, while no measured variable in the whey could account for this difference. Figure 4 indicates that the prediction accuracy was similar in the entire ranges of the predicted variables, with the exception of the highest calcium concentrations, which were predicted less accurately. Models for the dry extract and for the phosphorus concentration were also tried but were found to perform nothing more than time interpolation between existing data points. This was expected since the experiments were not significantly different.

From a practical point of view, the models can be used with data coming from a manual pH meter, since a single pH value is needed. Thus, a pH measurement cell is not required.

## **4. Conclusions**

To study the drainage phenomenon in soft cheese making, eight experiments were performed, combining three temperature levels (rennet temperature addition) and two starters. The only observed effects were those of starters on the changes of whey pH, and of pH, calcium concentration and calcium/dry matter ratio of the curd.

It was shown that the dry extract of the curd can be estimated from the mass of the drained serum using multiple linear regressions. The pH of the whey can be used either to estimate or to predict the pH of the curd, its calcium content, as well as the calcium / dry matter ratio. In all cases, the estimation and prediction accuracy was close to the repeatability of the experiments.

Similar tools could be developed for other cheese making processes. The most appropriate measurements to perform in the serum and the model coefficients should be determined separately for each type of process, however.

### **Acknowledgements**

This research was partially supported by ARILAIT. The authors would like to thank the ARILAIT sensor committee for its scientific assistance.



## 5. References

- [1] Acuna G., Latrille E., Beal C., Corrieu G., Static and dynamic neural network models for estimating biomass concentration during thermophilic lactic acid bacteria batch cultures, *J. Ferment. Bioeng.* 85 (1998) 615-622.
- [2] Akkerman J.C., Buijsse C.A.P., Schenk J., Walstra P., Drainage of curd : role of drainage equipment in relation to curd properties, *Neth. Milk Dairy J.* 50 (1996) 371-406.
- [3] Bishop C. M., Neural networks and their applications, *Rev. Sci. Instrum.* 65 (1994) 1803-1832.
- [4] Daviau C., Pierre A., Famelart M.H., Goudédranche H., Jacob D., Garnier M., Maubois J.L., Characterisation of whey drainage kinetics during soft cheese manufacture in relation with the physicochemical and technological factors, pH at renneting, casein concentration and ionic strength of milk, *Lait* 80 (2000) 417-432.
- [5] Kandarakis I., Moatsou A.I.K., Georgala S., Kaminarides S., Anifantakis E., Effect of draining temperature on the biochemical characteristics of Feta cheese, *Food Chem.* 72 (2001) 369-378.
- [6] Kaytanli M., Erdem Y.K., Tamae I.M., Factors affecting whey drainage of renneted skim milk gels: a kinetic approach, *Milchwissenschaft* 49 (1994) 197-200.
- [7] Latrille E., Corrieu G., Thibault J., pH prediction and final fermentation time determination in lactic acid batch fermentations, *Comput. Chem. Eng.* 17 (1993) 423-428.
- [8] Mutzelburg I.D., Law M.A., Durward I.G., Adaptation and evaluation of rapid methods for the determination of calcium in milk, *Aust. J. Dairy Technol.* 34 (1979) 114-117.
- [9] Ramet J.P., L'égouttage du coagulum, in : Eck A. (Ed.), *Le Fromage*, Tec & Doc Lavoisier, Paris, 1997, pp 42-61.
- [10] Salehi F., Lacroix R., Wade K.M., Improving dairy yield predictions through combined record classifiers and specialized artificial neural networks, *Comput. Electron. Agric.* 20 (1998) 199-213.
- [11] Salehi F., Lacroix R., Wade K.M., Development of neuro-fuzzifiers for qualitative analyses of milk yield, *Comput. Electron. Agric.* 28 (2000) 171-186.

[12] Walstra P., van Dijk H.J.M., Geurts T.J., The syneresis of curd. 1. General considerations and literature review, *Neth. Milk Dairy J.* 39 (1985) 209-246.

[13] Yun J.J., Barbano D.M., Kindstedt P.S., Larose K.L., Mozzarella cheese, impact of whey pH at draining on the chemical composition, proteolysis, and functional properties, *J. Dairy Sci.*, 78 (1995) 1-7.

Table I. Experimental conditions

| Experiment code | Starter  | Temperature<br>at rennet addition<br>°C ( $\pm 0.1^\circ\text{C}$ ) |
|-----------------|----------|---|
| E1, E2, E3, E4  | CHN 11   | 32.0  |
| E5              | CHN 11   | 31.2  |
| E6              | Redi Set | 31.2  |
| E7              | CHN 11   | 32.8  |
| E8              | Redi Set | 32.8  |

Table II. Multiple linear regressions between on-line measurements in the whey [weight (SM) and pH of the whey (pH W)] and the target variables measured in the curd [dry matter (DM), pH of the curd (pH C), calcium concentration (Ca), phosphorous concentration (P), Ca/DM ratio].

| Experi-<br>ments | Relationship                                   | R <sup>2</sup> | Residual<br>standard<br>deviation | Range                      |
|------------------|--|----------------|-----------------------------------|----------------------------|
| E1 – E8          | $DM = 158 + 12.36 SM - 0.83 SM^2 + 0.018 SM^3$ | 0.96           | 15.50                             | 150-450 g kg <sup>-1</sup> |
| E1 – E8          | $pH C = 29.34 - 9.81 pH W + 0.979 pH W^2$      | 0.89           | 0.18                              | 4.5-6.5 pH u.              |
| E1 – E5, E7      | $pH C = 105 - 35.69 pH W + 3.20 pH W^2$        | 0.96           | 0.08                              |                            |
| E6, E8           | $pH C = 26.3 - 8.89 pH W + 0.91 pH W^2$        | 0.99           | 0.04                              |                            |
| E1 – E8          | $Ca = -67.76 + 27.07 pH W - 2.54 pH W^2$       | 0.68           | 0.53                              | 1.5-4.5 g.kg <sup>-1</sup> |
| E1 – E5, E7      | $Ca = -68.00 + 27.72 pH W - 2.63 pH W^2$       | 0.85           | 0.38                              |                            |
| E6, E8           | $Ca = -61.08 + 24.48 pH W - 2.31 pH W^2$       | 0.82           | 0.31                              |                            |
| E1 – E8          | $P = -39.06 + 16.19 pH W - 1.55 pH W^2$        | 0.79           | 0.32                              | 1-3.5 g.kg <sup>-1</sup>   |
| E1 – E5, E7      | $P = -43.92 + 18.07 pH W - 1.73 pH W^2$        | 0.87           | 0.26                              |                            |
| E6, E8           | $P = 19.13 + 9.00 pH W - 0.92 pH W^2$          | 0.87           | 0.22                              |                            |
| E1 – E8          | $Ca/DM = -23.56 + 9.31 pH W - 0.84 pH W^2$     | 0.41           | 0.18                              | 1.5-2.2 %                  |
| E1 – E5, E7      | $Ca/DM = -20.69 + 8.41 pH W - 0.77 pH W^2$     | 0.62           | 0.14                              |                            |
| E6, E8           | $Ca/DM = -4.25 + 13.07 pH W - 1.18 pH W^2$     | 0.78           | 0.09                              |                            |

Table III. Prediction errors for the pH, calcium concentration and the calcium/dry matter ratio of the curd using pH measurements in the whey and artificial neural network models.

| Predicted variable in curd | Prediction accuracy              |                                      | Repeatability of the experiments Standard deviation | Analytical accuracy | Units              |
|----------------------------|----------------------------------|--------------------------------------|---|---------------------|--------------------|
|                            | Residual standard deviation      |                                      |   |                     |                    |
|                            | Test data base<br>E1, E4, E5, E8 | Learning data base<br>E2, E3, E6, E7 | E1 – E4   |                     |                    |
| pH                         | 0.05                             | 0.03                                 | 0.04  | 0.03                | pH u.              |
| Calcium                    | 0.35                             | 0.32                                 | 0.16  | 0.28                | g.kg <sup>-1</sup> |
| Calcium / dry matter       | 0.10                             | 0.06                                 | 0.06  | 0.07                | g.kg <sup>-1</sup> |

## Figure legends

Figure 1. General structure of the artificial neural network models used.

Figure 2. Repeatability experiments (E1  $\Delta$ , E2  $\diamond$ , E3  $\star$ , and E4  $\spadesuit$ ). Weight (A) and pH (B) changes in whey. pH (C), dry matter (D), calcium concentration (E), phosphorous concentrations (F) and calcium/dry matter ratio (G) changes in curd. The dotted lines represent the 95% confidence interval.

Figure 3. Effect of the temperature at rennet addition (experiments E5  $\circ$  and E7  $\square$ ) and of the starter type (experiments E6  $\times$  and E8  $\nabla$ ) on the evolutions of weight (A) and pH (B) of the whey and on the pH (C), dry matter (D), calcium concentration (E), phosphorous concentration (F) and of the calcium/dry matter ratio (G) in the curd. The dotted lines represent the 95% confidence interval from the repeatability experiments E1 to E4.

Figure 4. Accuracy of the artificial neural network models. Predicted versus measured values. Experiments E1  $\Delta$ , E2  $\diamond$ , E3  $\star$ , E4  $\spadesuit$ , E5  $\circ$ , E6  $\times$ , E7  $\square$  and E8  $\nabla$ .

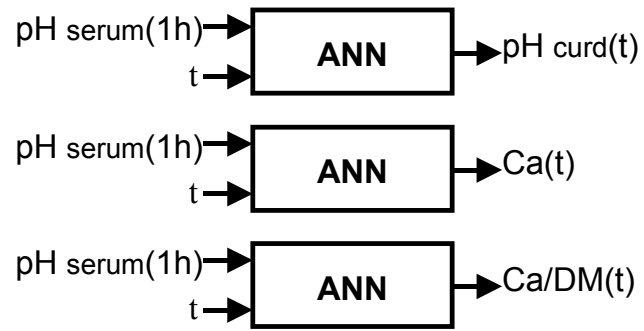


Figure 1

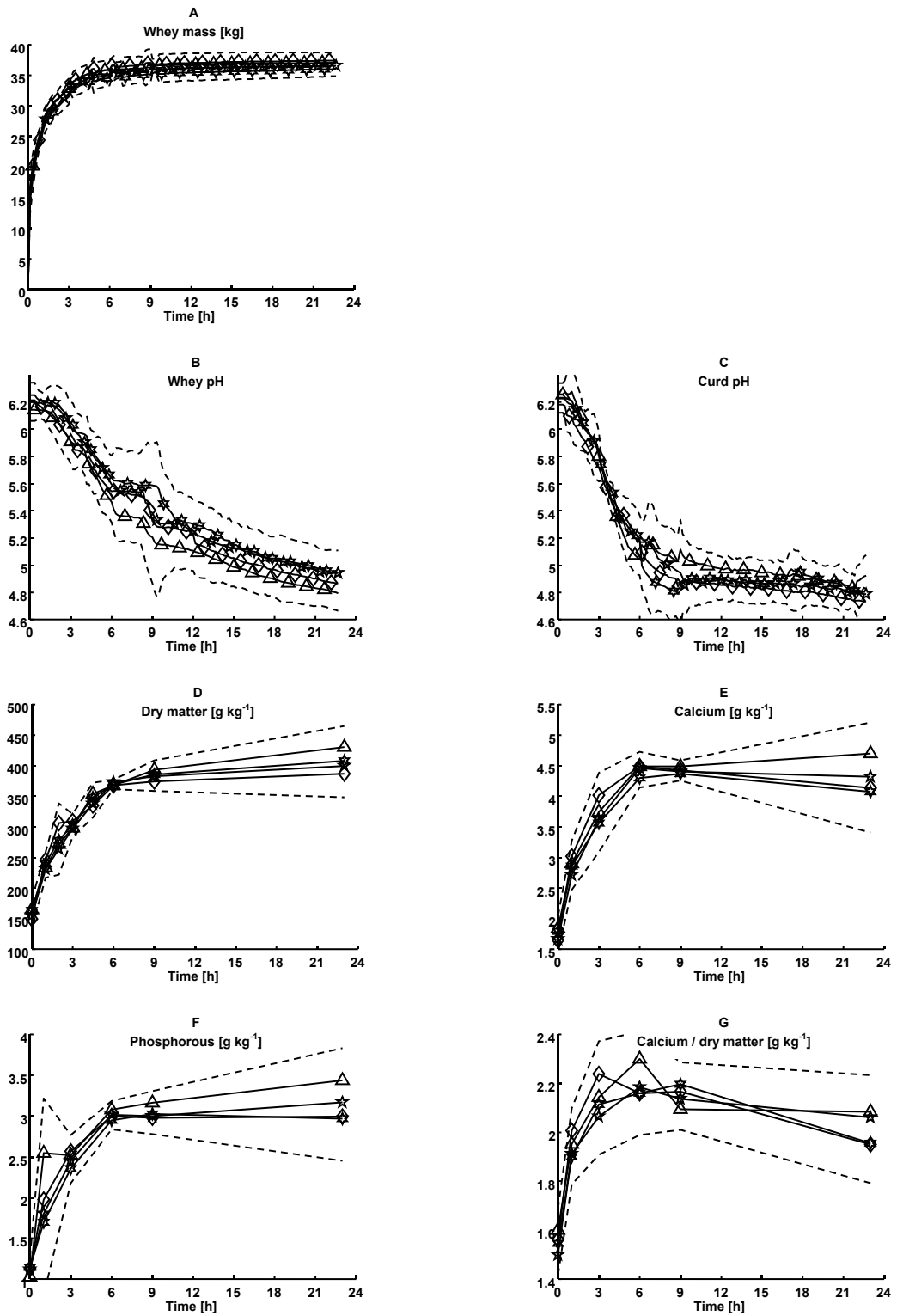


Figure 2



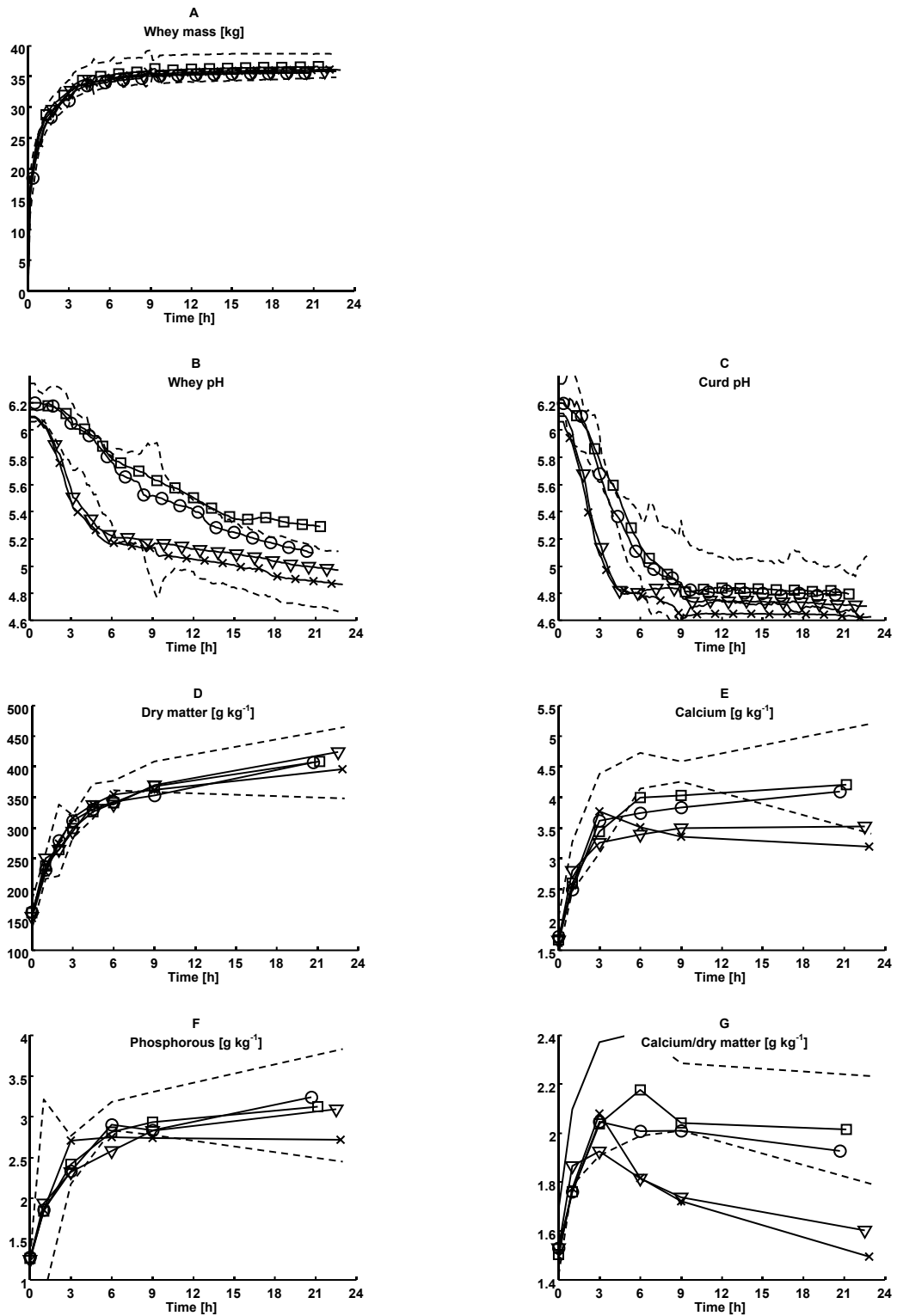


Figure 3

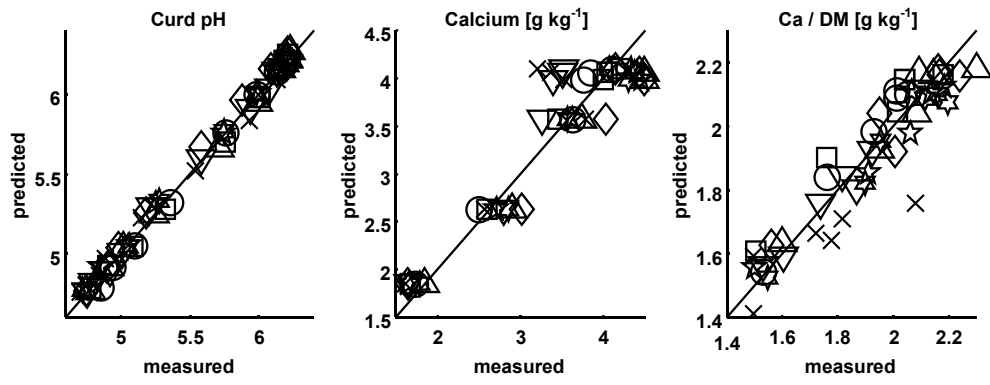


Figure 4